

## Shutoff valve type A230 / A240

### Application and function

The area of application comprises the entire product range of transparent and bicolour level gauges. They are used to shut off the level gauge.

### Technical basic equipment

- Body material carbon steel, material as per DIN or ASME
- Inner parts of valve stainless steel
- Handwheel and handlever aluminium
- Process connection PS = 100 – 200 bar: DN25
- Self-closing ball for automatic shutoff in case of glass or mica break
- Version with backseat to release gland packing

### Available (optional) versions

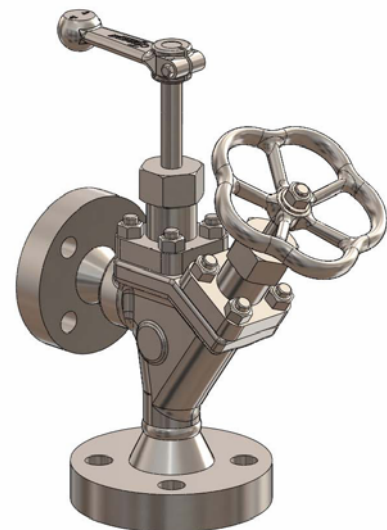
- Quick closing spindle
- Other process connections as per DIN or ASME, butt welding end and socket welding

### Technical data

Allowable pressure	PS	[bar]	100	160	200
Allowable temperature	TS	[° C]	312	348	367
Handwheel	∅	[mm]	150		

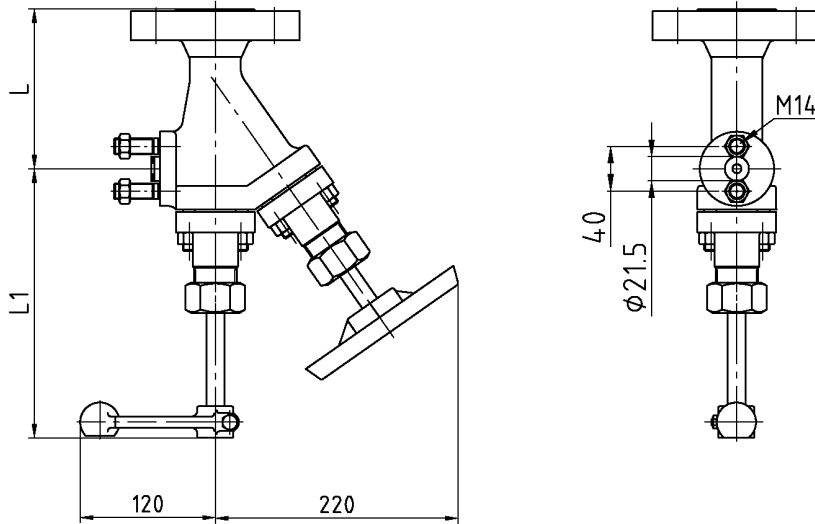


A230

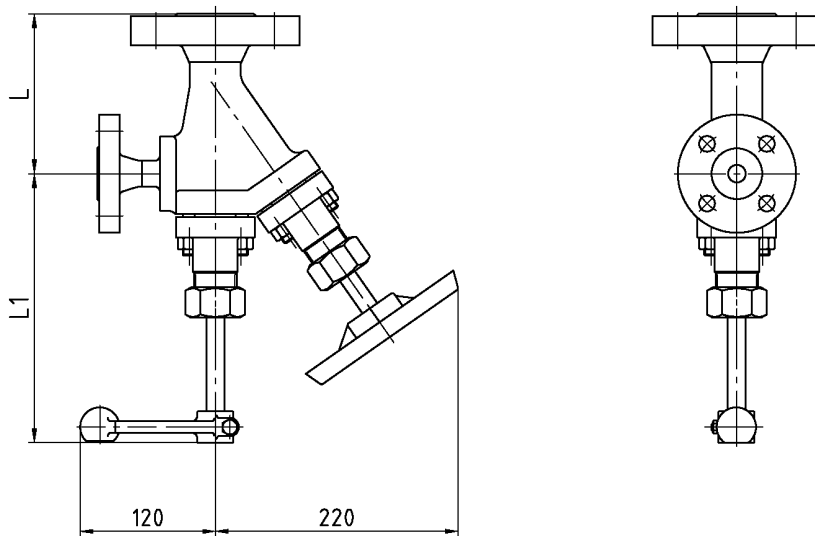


A240

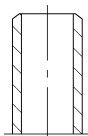
**A230 with flange as per DIN**



**A240 with flange as per DIN**

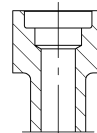


**Welding end**



Welding end DIN 3239  
Butt welding end ASME B16.25

**Socket Welding**



Socket welding  
SW ASME B16.11

Allowable pressure [bar]	Flange	L [mm]	Welding end	L [mm]	L1 [mm]
100	DN25 DIN 2638-E	145	DN25 DIN 3239	150	240
160	DN25 DIN 2628-E	155	DN25 DIN 3239	150	245
200	DN25 DIN 2629-E	170	DN25 DIN 3239	150	240-250

